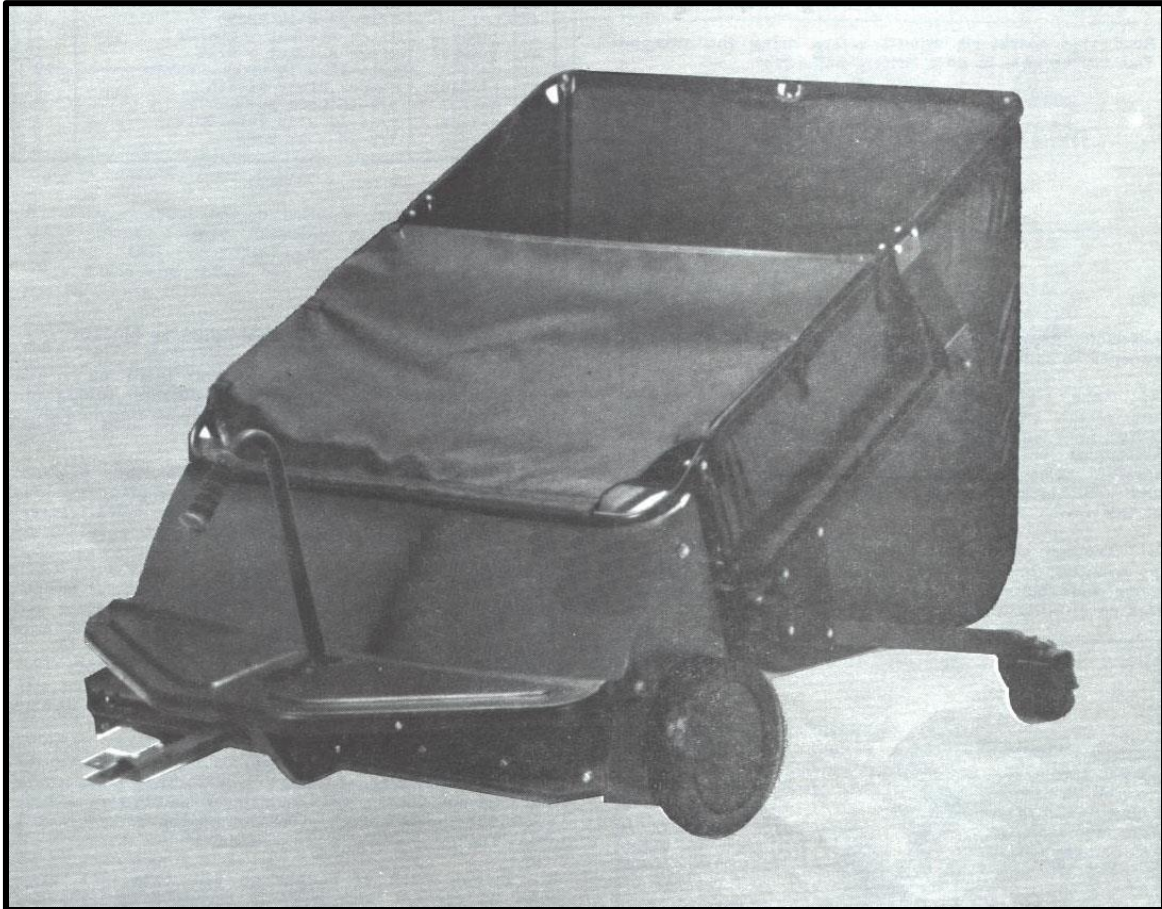


MID WEST PRODUCTS, INC.

38" Commercial Trailing Pavement/Leaf/Lawnsweeper Model HDT-38B



Owner's Manual and Parts List

SAVE THIS MANUAL

You will need this manual for the safety instructions, assembly instructions and parts list. Put it in a safe, dry place for future reference.

CONTENTS

ASSEMBLY	2-3
OPERATION	4
GENERAL MAINTENANCE	4
PART LISTING & DRAWINGS	5-7
LONG-TERM STORAGE	8
ORDERING PARTS	8

UNPACKING INSTRUCTIONS:

Remove all Lawnsweeper Parts, Literature, and Parts Bag from carton. Open Parts Bag and identify contents as listed to the right.

Right-hand (R.H.) and Left-hand (L.H.) references are determined by standing at the rear of the tractor or Lawnsweeper and facing the direction of forward travel.

Read this Operator's Manual before using the Lawnsweeper. You will be able to do a better, safer job.

Key No.	Part No.	Description	Qty.
9	X-1107	5/16-18 Lock Nut	26
15	1-A2936	Dump Rope	1
16	1-A2953	Dump Rope Handle	1
30	L-99	5/16 Flat Washer	2
41	L-80	5/16-18 X 1 HHCS	4
42	L-127	5/16-18 X 1 ½ HHCS	6
43	1-B2829	Hitch Bracket - Center	1
44	1-A2828	Hitch Bracket - Flat	1
63	L-81	5/16-18 X 1 ¼ HHCS	12
65	1-A2901	Hamper Pivot Sleeve	2
67	X-1199	3/8-16 Lock Nut	2
85	X-1358	5/16-18 X 1 ¼ Tube Bolt	2
88	X-1026	3/8-16 X 1 ½ HHCS	2

Assembly

Assemble Hamper Support Tube and Caster Tubing to Lawnsweeper as follows and shown in Figure 1.

- A) Take right and left Caster Tube Assemblies and attach two Gusset Plates (64) to them using four Bolts (63) and four Lock Nuts (9). Position

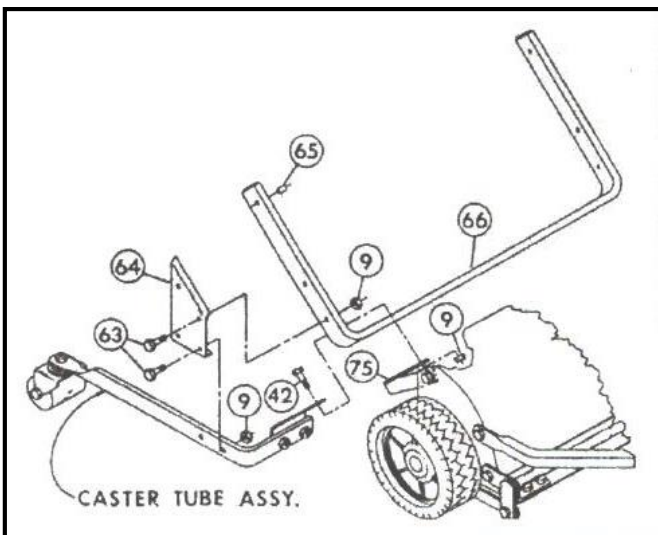


Figure 1

these assemblies on Hamper Support Tube (66) and attach through holes in Gusset Plates (64) with four Bolts (63) and four lock Nuts (9). Do not tighten these Bolts at this time.

- B) Position above assembly behind Lawnsweeper and attach to Mounting Brackets (75) already mounted on Lawnsweeper using four Bolts (42) and four Lock Nuts (9). Securely tighten all Nuts in this assembly at this time.

Assemble Debris Hamper and Wind Apron as follows:

- A) Take Hamper Sub-assembly and place on a flat surface. Locate five pieces of ¾" diameter tubing and two Hamper Pivot Brackets (89) as illustrated in Figure 2 (on the next page).
- B) Insert ends of Rear Tube (91) onto ends of Front Tube (83) and align holes. Place Hamper Pivot Brackets (89) with welded brace to the rear over holes. Insert two Bolts (63) and secure with two Lock Nuts (9) on each side.

- C) Place Tie Rod (82) through lip on front of Hamper and put a Flat Washer (30) on each end. Place two Front Lower Hamper Tubes (84) inside Hamper and onto ends of the Rod. Secure with two Lock Nuts (9) on each end. With flat end of Front Hamper Tubes (84) on the outside of Tube (83), align holes and fasten with two Bolts (41) and two Lock Nuts (9). Do not tighten at this time.
- D) Take Lower Rear Tube (86) and place it over the ends of Tubes (84) and align holes. Then position the Rear Corner Tubes (90) over holes and Insert a Tube Bolt (85) through each side and secure with two Lock Nuts (9).
- E) Pulling back of Hamper up with Tube (91), align holes in Corner Tubes (90) and insert two Bolts (41) and secure with two Lock Nuts (9). At this time securely tighten all Bolts in this assembly.
- F) Pulling up and back on Wind Apron (80), align its velcro tabs to tabs on side panels of Hamper (87).

- B) Securely tie Dump Rope (15) to center of Rear Upper Tube (91). Run Rope under Hamper, then up between Hamper and Tube (66) and through Grommet in top of Lawnsweeper. Locate Dump Handle (16) on Rope where it can be reached from your tractor seat and secure by tying a knot on both sides of it.

Attach Hitch Brackets to Lawnsweeper Tongue as follows and as shown in Figure 3.

- A) Due to the wide range of tractor sizes and drawbar heights, mounting of the Hitch Brackets may vary, depending on your particular tractor. Top of Lawnsweeper Tongue (45) should be level or approximately 8" off the ground with the Lawnsweeper in the lowest setting.
- B) See Figure 3 and select the recommended mounting to suit your particular tractor hitch height. Then attach Hitch Brackets (43 and 44) with two Bolts (42) and secure with two Lock Nuts (9).

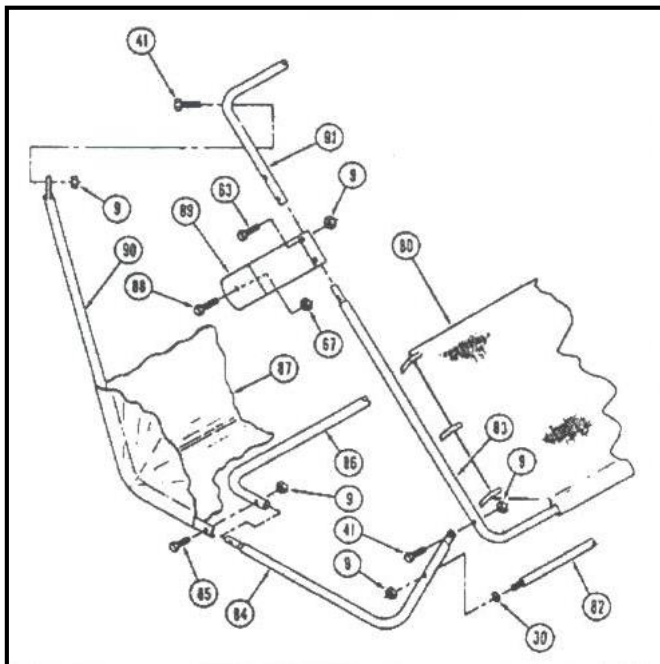


Figure 2

Place Hamper Assembly from Figure 1 onto Hamper Support Assembly from Figure 2.

- A) With Sleeves (65) in holes in Hamper Support Tube (66), place Hamper Assembly in position with Pivot Brackets (89), straddle ends of Support Tube (66). Align holes and insert two Bolts (88) and secure with two Lock Nuts (67).

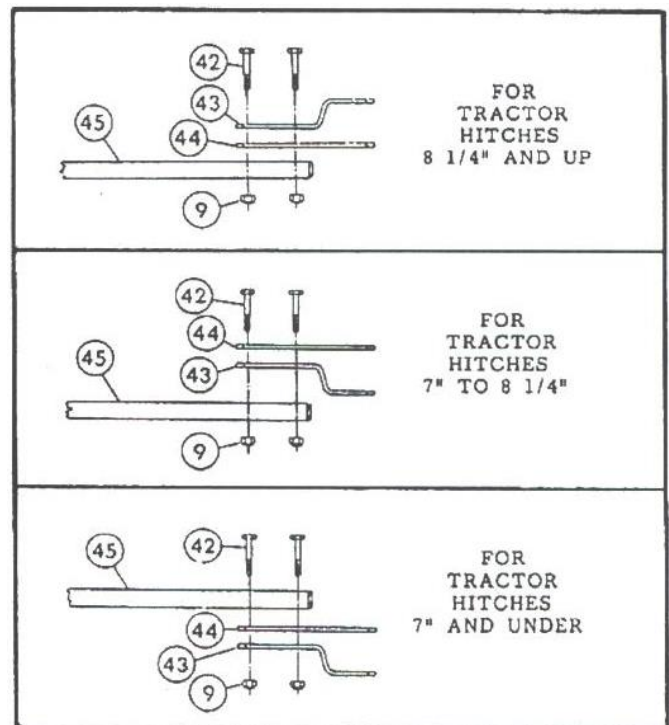


Figure 3

Operation

OPERATING SPEED:

Pulling the Lawnsweeper forward rotates the brushes, propelling debris into the Hamper. Ground speed of tractor is important for efficient sweeping without throwing debris over the back of the Hamper. To attain best sweeping results and minimize excessive wear to brushes, it is recommended ground speed should be between 3 to 5 MPH.

DUMPING HAMPER:

To dump debris from Hamper, pull the Handle on Nylon Rope steadily forward to rotate Hamper to the full dump position. After dumping, hold the Rope and allow the Hamper to return slowly to the operating position. **CAUTION:** The Hamper and Brushes are constructed of high quality plastic materials. They are mildew and rot resistant, but are not fireproof, they will burn. Do not operate Lawnsweeper close to open fires.

BRUSH HEIGHT ADJUSTMENT:

Brushes can be adjusted from the operators position on the tractor. Simply move Height Adjustment Handle to the left and push back to raise Brushes or forward to lower Brushes. Be sure stud on Handle engages on Bracket when released. The most efficient operating height is when the Brushes just touch the top of the grass or lightly contact paved surfaces. If Brushes are set too low, the Lawnsweeper will pull hard. This can cause premature Brush wear which leads to early Brush replacement. Always raise the Brushes when transporting the Lawnsweeper from one work area to another.

Due to the various styles and sizes of tractors, the Height Adjustment Handle may be removed and reinstalled with the Handle pointing toward the rear of Lawnsweeper. This may make it easier to reach and give additional clearance on your particular tractor.

General Maintenance

LUBRICATING PINION AND WHEEL GEAR:

Remove Hub Caps using a small screwdriver. With Grease Zerk in wheel at 12 o'clock position and using any standard hand grease gun, apply approximately 2 to 3 pumps of recommended molybdenum disulfide base grease every 15 to 20 hours of use. Also oil Wheel Axle.

OILING WHEEL AXLE:

Lubricate Wheel Axles with SAE 20 or 30 oil by applying through Oil Plug located in each wheel. Lubricate at the beginning of the season and once or twice during the season, depending on use.

OILING BRUSH AXLE AND HAMPER PIVOTS:

Bearings at the ends of Brush Axles are sealed and require no lubrication. However, several drops of SAE 20 or 30 oil on the Brush Axle Center Pivot Shaft is recommended 3 or 4 times a season, depending on use. Oil Hamper Pivot Pins occasionally to prevent rust and insure easy dumping.

OILING PIVOT POINTS:

All linkage connections on the height adjustment mechanism should also be lubricated periodically

with SAE 20 or 30 oil to prevent rust and wear.

BRUSH REPLACEMENT:

Check Brushes for wear, and order replacement Brushes if necessary. To replace, simply loosen or remove two Bolts in Brush Clamps and remove old Brush Strip. Insert new Brush Strip, making sure that metal strip on brush is under lip on Brush Clamps and retighten Bolts securely. Replace all individual Brushes at the same time to provide more uniform sweeping.

STORAGE HINTS:

Clean Hamper with a brush or broom to remove clippings and debris.

Wipe dirt and grease from chassis. Repaint scratched areas and coat metal parts with a oil or wax to prevent rust.

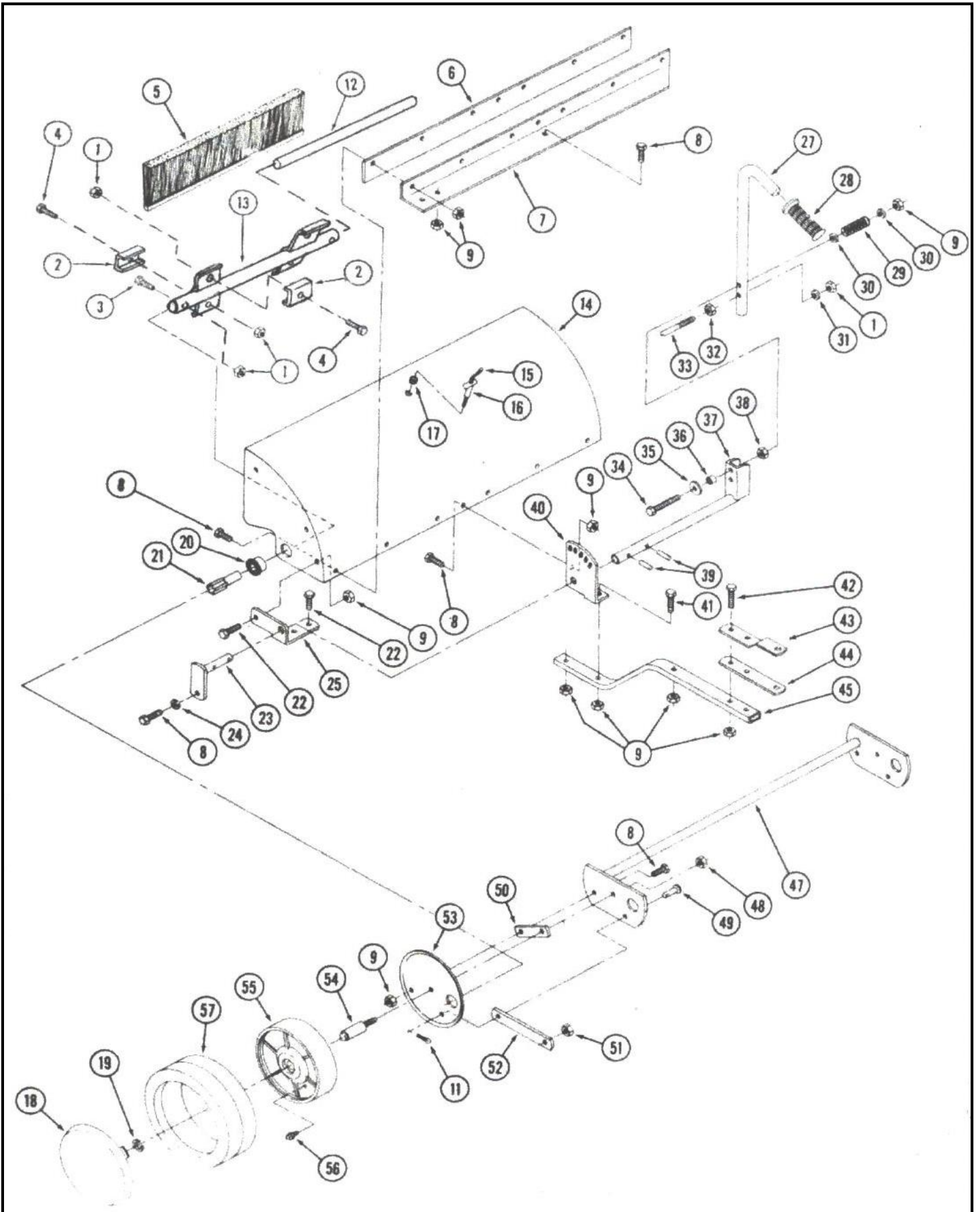
Store the Lawnsweeper in a dry area out of direct sunlight. Do not allow Lawnsweeper to stand in hot sunlight when not in use.

Periodically check all bolts, fasteners, and screws for tightness to be sure Lawnsweeper is in safe operating condition.

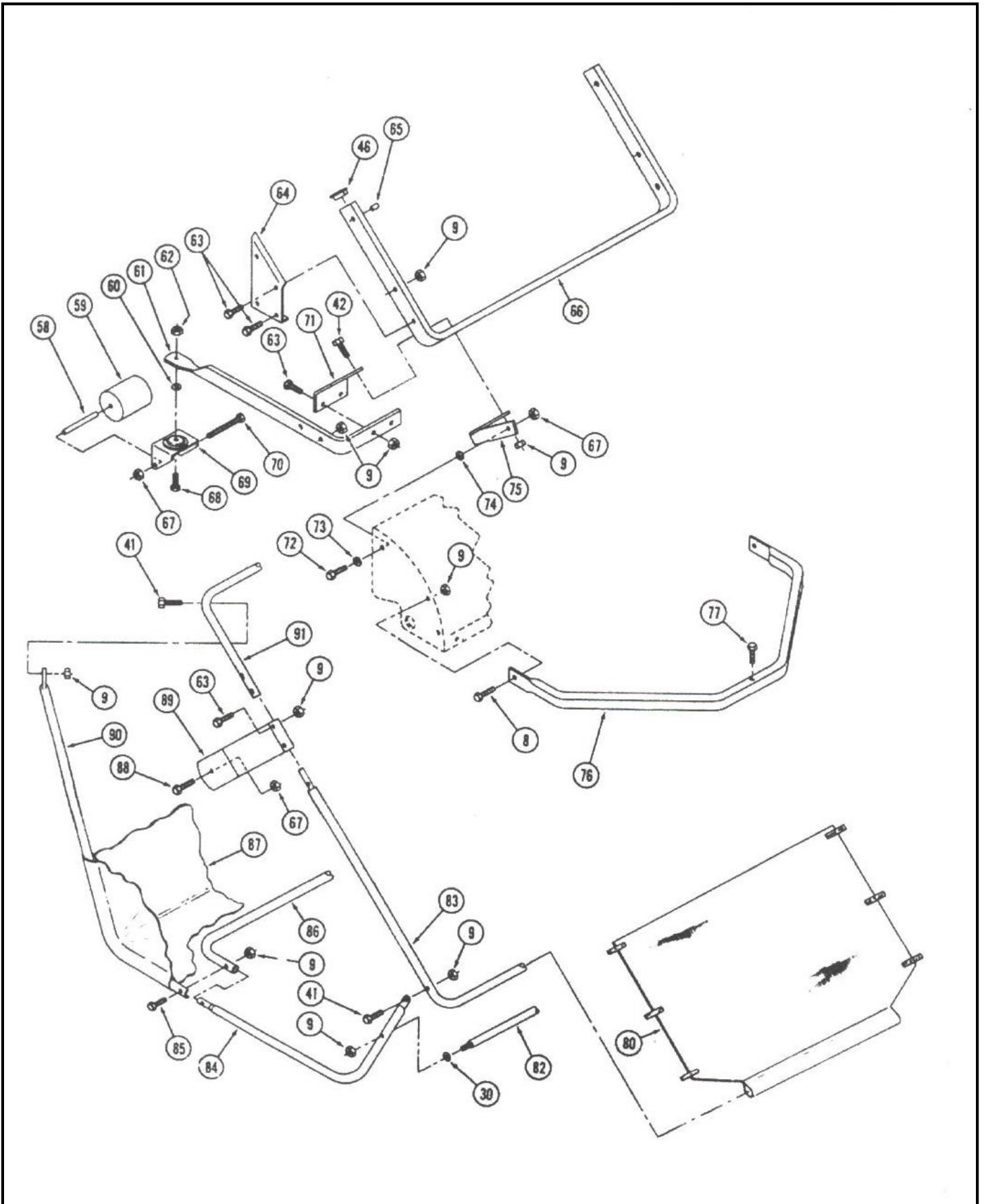
PARTS LIST

Key	Part No.	Description	Qty.	Key	Part No.	Description	Qty.
1	L-303	1/4-20 Lock Nut	11	49	X-1643	3/8 Clevis Pin	1
2	1-A2873	Brush Clamp	8	50	1-A2863	Spacer Link	2
3	X-1182	1/4-20 X 1 1/4 HHCS	2	51	L-5552	5/16-18 Pilot Nut	1
4	L-172	1/4-20 X 3/4 HHCS	8	52	1-A2857	Height Adjustment Link	1
5	1-B2875	Brush Strip	4	53	1-B2865	Wheel Shield – RH	1
6	1-C2842	Front Seal	1	*	1-B2866	Wheel Shield – LH	1
7	1-C2844	Front Angle	1	54	1-A2400	Wheel Stud	2
8	L-59	5/16-18 X 3/4 HHCS	10	55	1A-C2931	Wheel Assembly	2
9	X-1107	5/16-18 Lock Nut	48	56	X-1492	Grease Zerk	2
11	L-131A	1/8 X 3/4 Cotter Pin	1	57	1-1637B	Tire	2
12	1-3016	Brush Axle Center Shaft	1	58	15-1017	Caster Sleeve	2
13	1A-3006	Brush Tube Assembly	2	59	1-1633	Caster Wheel	2
14	1A-D2840	Shield Wrap Assembly	1	60	L-64A	1/2 Flat Washer	2
15	1-A2936	Dump Rope	1	61	1A-C2949	Caster Tube – RH	1
16	1-A2953	Dump Handle	1	*	1A-C2950	Caster Tube – LH	1
17	1-A2951	Shield Wrap Grommet	1	62	X-1353	1/2-13 Hex Lock Nut	2
18	1-A2935	Hub Cap	2	63	L-81	5/16-18 X 1 1/4 HHCS	18
19	L-262	5/8 Retaining Ring	2	64	1-B2893	Caster Gusset Plate	2
20	1-A2864	Bearing	2	65	1-A2901	Hamper Pivot Sleeve	2
21	1A-A2870	Pinion Gear	2	66	1-D2884	Hamper Support "U" Tube	1
22	L-279	5/16-18 x 1/2 HHCS	3	67	X-1199	3/8-16 Lock Nut	6
23	1A-B2856	Height Adj. End Lever	1	68	X-1258	1/2-13 X 1 1/4 HHCS	2
24	X-1025	5/16 Lock Washer	1	69	1A-B2899	Caster Yoke Assembly	2
25	1-B2846	Pivot Bracket	1	70	X-1439	3/8-16 X 4 1/2 HHCS	2
27	1-C2853	Height Adjustment Handle	1	71	1-A2892	Caster Tube Connecting Plate	2
28	16-3080B	Handle Grip	1	72	X-1147	3/8-16 x 1 HHCS	2
29	1-A2670	Spring	1	73	L-64	3/8 Flat Washer	2
30	L-99	5/16 Flat Washer	4	74	1-A2729	Spacer	2
31	X-1099	1/4 Flat Washer	1	75	1A-B2896	Mounting Bracket – RH	1
32	L-304	1/4-20 Std. Hex Nut	1	*	1A-B2897	Mounting Bracket – LH	1
33	1-A2932	1/4-20 Detent Stud	1	76	1-D2834	Tongue Brace	1
34	X-1638	5/16-18 X 3 HHMS	1	77	X-1028	5/16-18 X 2 HHCS	1
35	X-1642	5/16 Washer-Special	1	80	1A-C2929	Wind Apron Assembly	1
36	1-A2735	Spacer	1	82	1-A2915	Tie Rod	1
37	1A-B2852	Height Adj. Tube Assembly	1	83	1-D2903	Top Front Hamper Tube	1
38	L-60	5/16-18 Std. Hex Nut	1	84	1-D2905	Lower Front Hamper Tube	2
39	X-1605	Roll Pin	2	85	X-1358	5/16-18 X 1 1/4 Tube Bolt	2
40	1-B2845	Index Bracket	1	86	1-C2907	Lower Rear Hamper Tube	1
41	L-80	5/16-18 X 1 HHCS	6	87	1A-C2925	Hamper Assembly	1
42	L-127	5/16-18 X 1 1/2 HHCS	6	88	X-1026	3/8-16 X 1 1/2 HHCS	2
43	1-B2829	Hitch Bracket - Formed	1	89	1A-B2879	Hamper Pivot Bracket – RH	1
44	1-A2828	Hitch Bracket - Flat	1	*	1A-B2880	Hamper Pivot Bracket – LH	1
45	1-C2832	Tongue	1	90	1-C2910	Rear Corner Hamper Tube – RH	1
46	1-A2952	Rectangle Tube Plug	2	*	1-C2911	Rear Corner Hamper Tube – LH	1
47	1A-C2862	Axle Assembly	1	91	1-C2913	Top Rear Hamper Tube	1
48	L-5486M	3/8-24 Wheel Stud Nut	2				

PARTS DRAWING 1



PARTS DRAWING 2



Long-Term Storage

1. Clean Hamper to remove clippings and debris
2. Wipe dirt and grease from Chassis. Repaint any scratched areas and coat metal parts with oil to prevent rust.
3. Store Lawnsweeper in a dry area out of direct sunlight.
4. Check Lawnsweeper parts for wear. Replace parts as necessary.

IN THE FALL: Sweep REGULARLY when the leaves are dropping...don't wait until they're all down... you'll get better sweeping action if your lawn is cut short.

PLEASE DO NOT RETURN THIS MERCHANDISE TO THE STORE. CALL US AND WE WILL TAKE CARE OF ANY PROBLEMS YOU MIGHT HAVE WITH THIS PRODUCT.

INSTRUCTIONS FOR ORDERING PARTS

(Minimum Parts Order Charge \$20.00)

1. Address all parts orders or correspondence regarding customer service to one of the following:

Parts Dept.	Phone: (937) 337-3641
Mid West Products, Inc.	Fax: (937) 337-0755
P.O. Box 301	E-mail: Parts@Mid-West-Products-Inc.com
Phillipsburg, OH 45354	Website: www.Mid-West-Products-Inc.com
2. Write your name and address plainly (print or type).
3. Explain where and how to ship.
4. Give model number of unit.
5. Give part number from parts list, as well as a description, including color, of the part and the quantity you need.
6. Inspect all shipments you receive. If any parts are damaged or missing, file a claim with the carrier before accepting.
7. If you are returning parts, be sure to include WITH THE SHIPMENT a list of the parts with your name and address.
8. All orders for repair and replacement parts will be shipped when paid with Master Card, Visa, or personal check/money order. Prices subject to change without notice.

GUARANTEE

The merchandise you have purchased from us has been carefully engineered and manufactured under Mid West Products rigid quality standards and should give you satisfactory, dependable operation. However, like all mechanical merchandise, it may occasionally require adjustment or maintenance. Should you need technical assistance, please contact MID WEST PRODUCTS.