

MID WEST PRODUCTS, INC.

STANDARD-DUTY WOODEN UTILITY CART MODEL GC-20W



Owner's Manual and Parts List

SAVE THIS MANUAL

You will need this Manual for the Safety Instructions, Assembly Instructions and Parts List. Put it in a safe, dry place for future reference.

MAKING THE JOB EASIER

Work at a workbench, hip-high table, or from sawhorses with plank or plywood bridge.

- Read these instructions all the way through before picking up the first tool. It's much easier to assemble the Cart if you understand all of the steps.
- Before you start, you have the option of choosing which side of the four wooden panels you want to have on the Outside. After you start, you will have to stay with your selection.
- In the instructions, we will refer to Inside (where the load goes) and Outside, Left, Right, Top and Bottom, and Front and Rear. Left and Right, and Front and Rear are from the User's position at the Handle. From that position, the User is at the Rear of the Cart.
- You'll be using Nuts and Bolts throughout. Tools Required: Pliers, Screwdriver and Wrench.
- To protect the wood against the elements, you may want to add a coat of varnish, paint or polyurethane before beginning assembly.
- There are four pieces of wood used in the Cart. The largest is the Bottom, then there are two Side Panels and a Front Panel. Check the parts against the parts list, if anything is missing, tell us and we'll replace it at no charge. You may, if you wish, purchase your own replacement items but we have no procedure to reimburse you for such a purchase.
- We suggest that you not completely tighten Nuts and Bolts until you finish a section. We'll remind you when to tighten them.

SAFETY WARNINGS AND CAUTIONS

Read all instructions before assembling this Cart!

1. Keep work area clean. Cluttered areas invite injuries.
2. Keep children away. While the Cart is being assembled, keep children away from the loose parts.
3. Use eye protection. Always wear ANSI approved safety goggles.
4. Don't overreach. Keep proper footing and balance at all times.
5. **Replacement parts and accessories.** When servicing, use only identical replacement parts. Only use accessories intended for use with this Cart.
6. Do not assemble or use Cart if under the influence of alcohol or drugs. Read warning labels on prescriptions to determine if your judgment or reflexes are impaired while taking drugs. If there is any doubt, do not attempt to assemble or use the Cart.

ASSEMBLY INSTRUCTIONS

When assembling your Cart, place the heads of all Bolts to the Inside and Hex Nuts with Flat Washers to the Outside

FIRST – Attach the Wheels (See Figure 1)

1. Put the L-Shaped Frames (2) on floor or workbench.
2. Insert the Axle (3) through the holes on L-Shaped Frames (2).
3. Slide Wheels (1) onto Axle (3), and then lock the Wheels (1) with Washer (4) and Lock Pin (5).

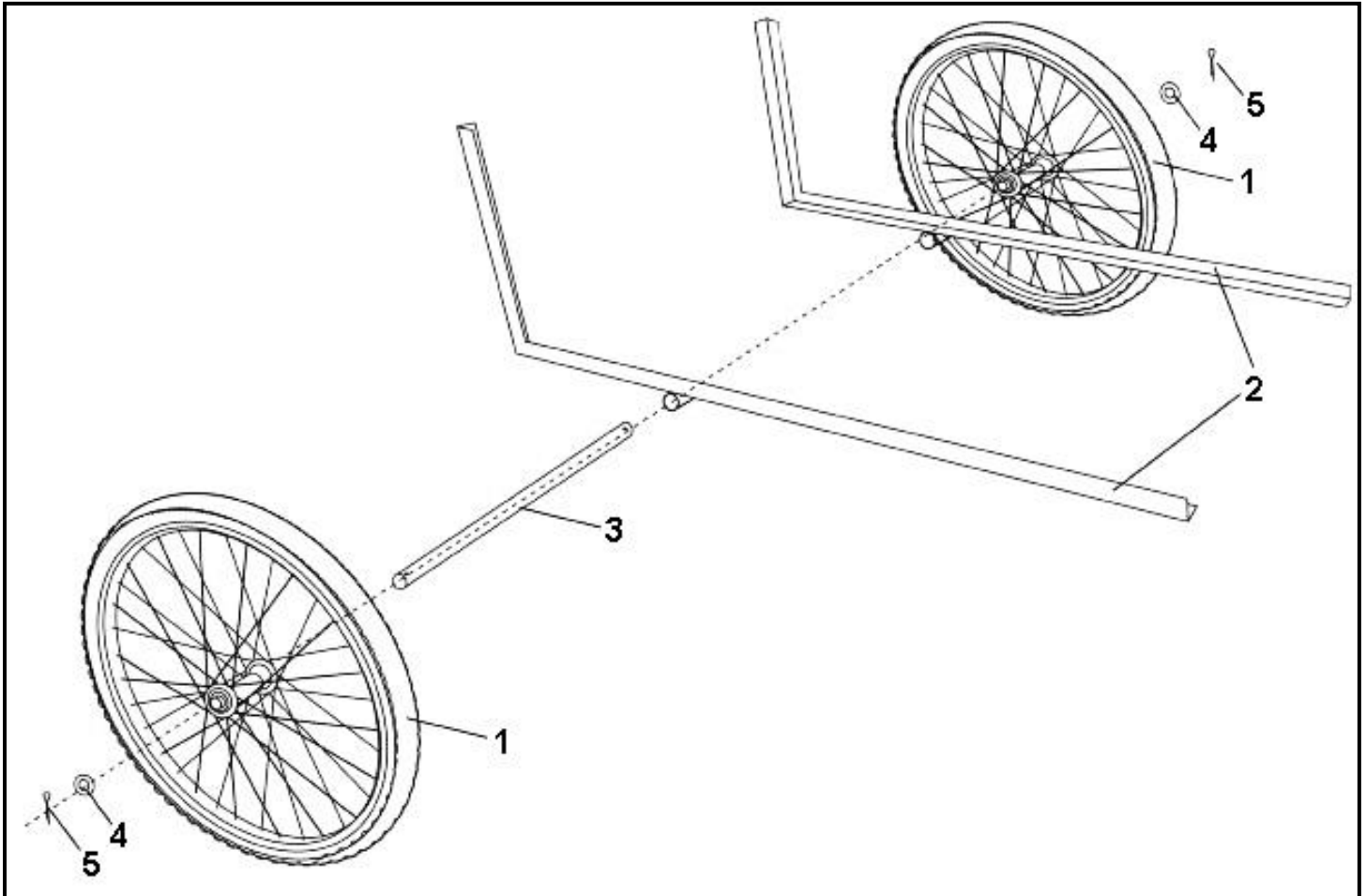


Figure 1

SECOND – Attach Wood Floor Bed (See Figure 2)

1. Put Wood Floor Bed (6) onto L-Shaped Frame (2).
2. Attach Wood Floor Bed (6), L-Shaped Frame (2) and Support Frame (7) together, tightening with Bolt (8) and (16), Washer (17) and Lock Nut (18).
3. Assemble Rear Connect Bar (9) on L-Shaped Frame (2) with Lock Nut (18).

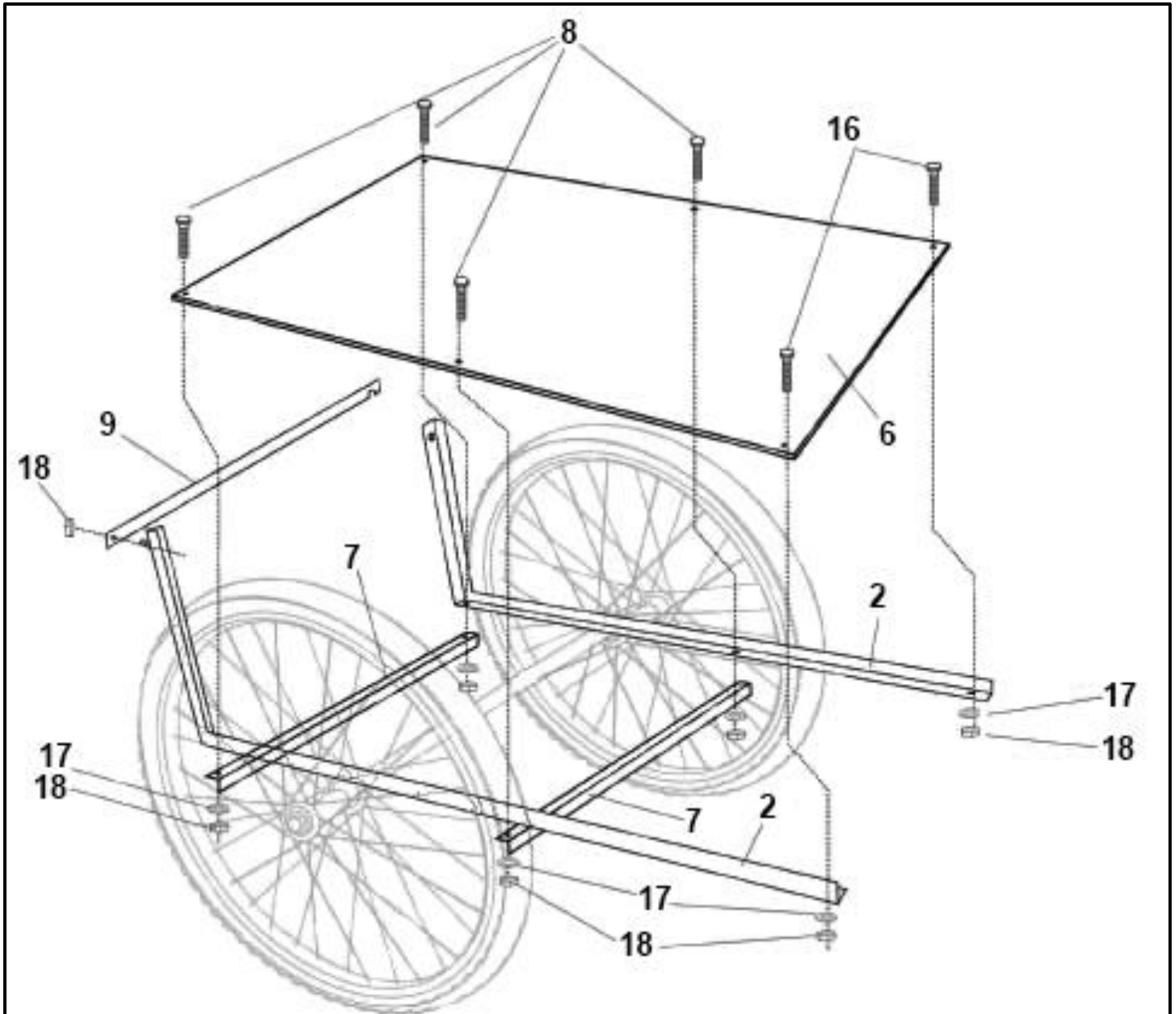


Figure 2

THIRD – Attach Panels (See Figure 3)

1. Attach Side Panel (11) and L-Shaped Frame (2), tightening with Bolt (16), Washer (17) and Lock Nut (18).
2. Attach Side Panel (11), L-Shaped Frame (2) and Leg Support (13), tightening with Bolt (10) and (12), Washer (17) and Lock Nut (18).
3. Slide Rear Panel (14) into the Cart.

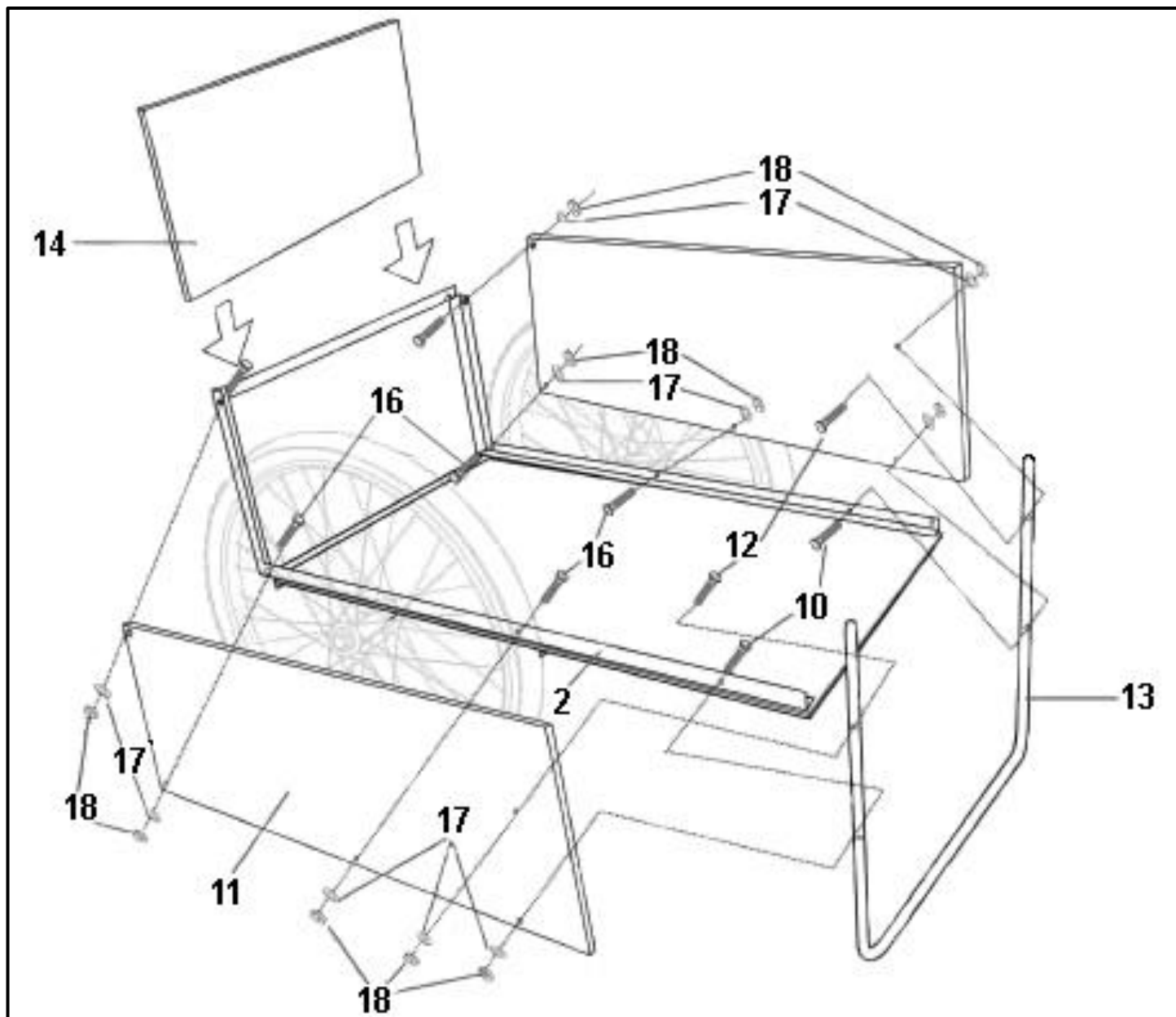


Figure 3

FINALLY – Attach Handle (See Figure 4 & Figure 5)

1. Assemble Handle (15) on Side Panel (11), using with Bolt (12), Washer (17) and Lock Nut (18) to tighten.
2. Tighten all Bolts, Washers and Nuts. Cart is ready for use.

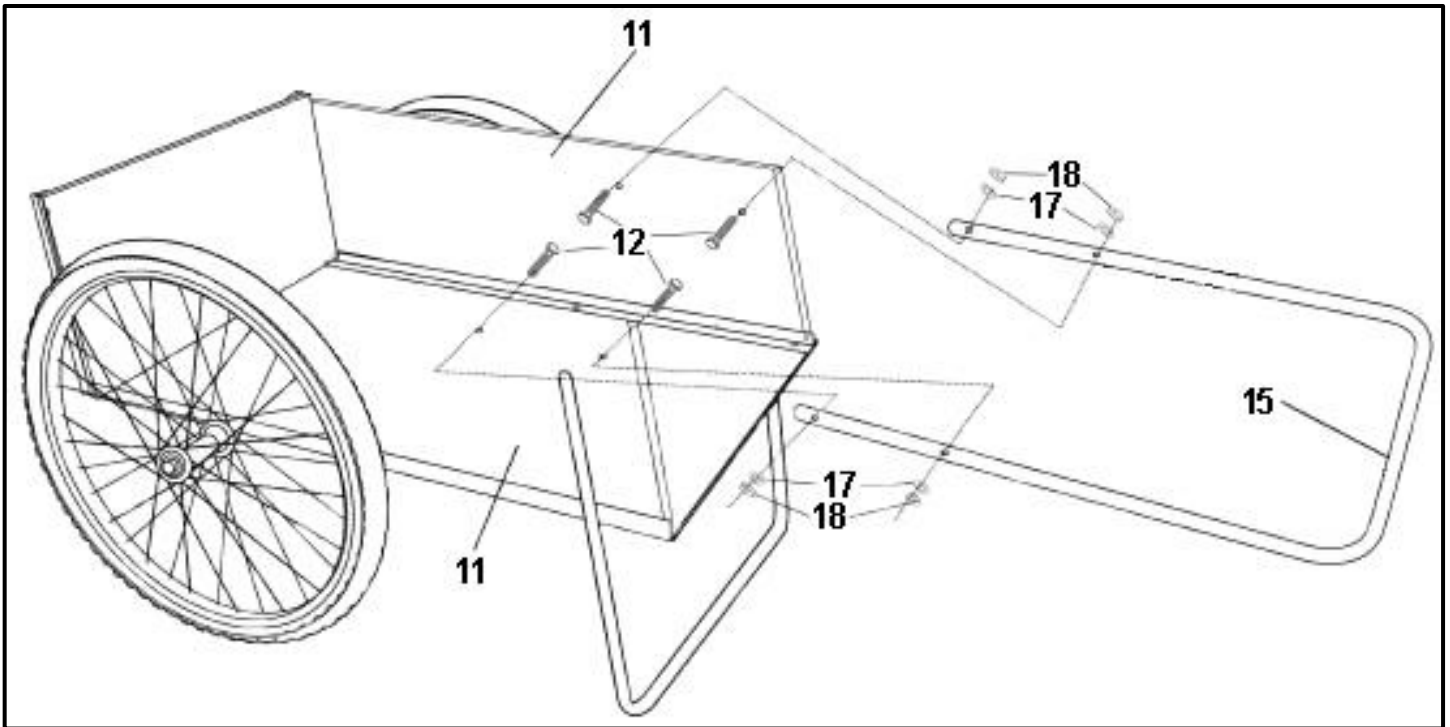


Figure 4

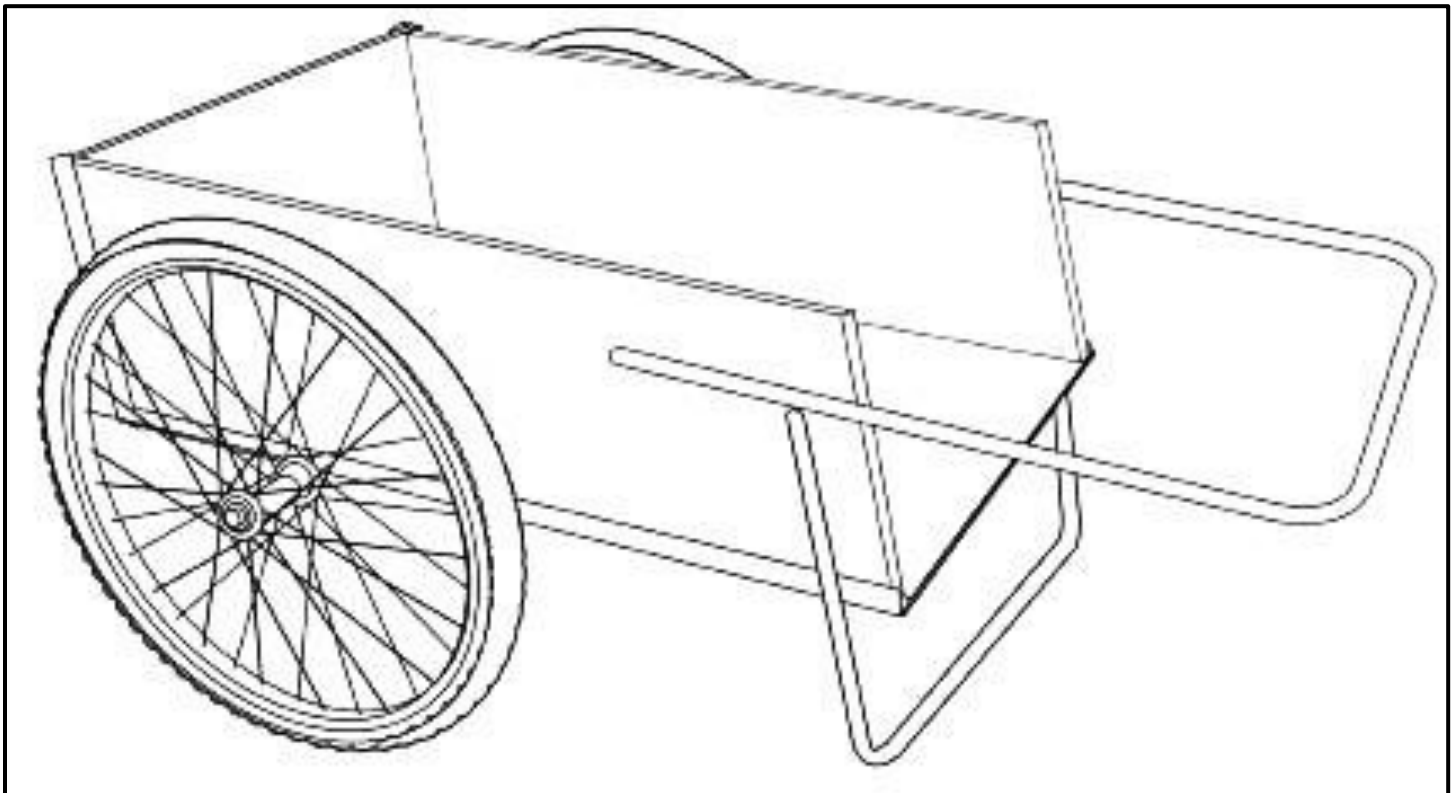
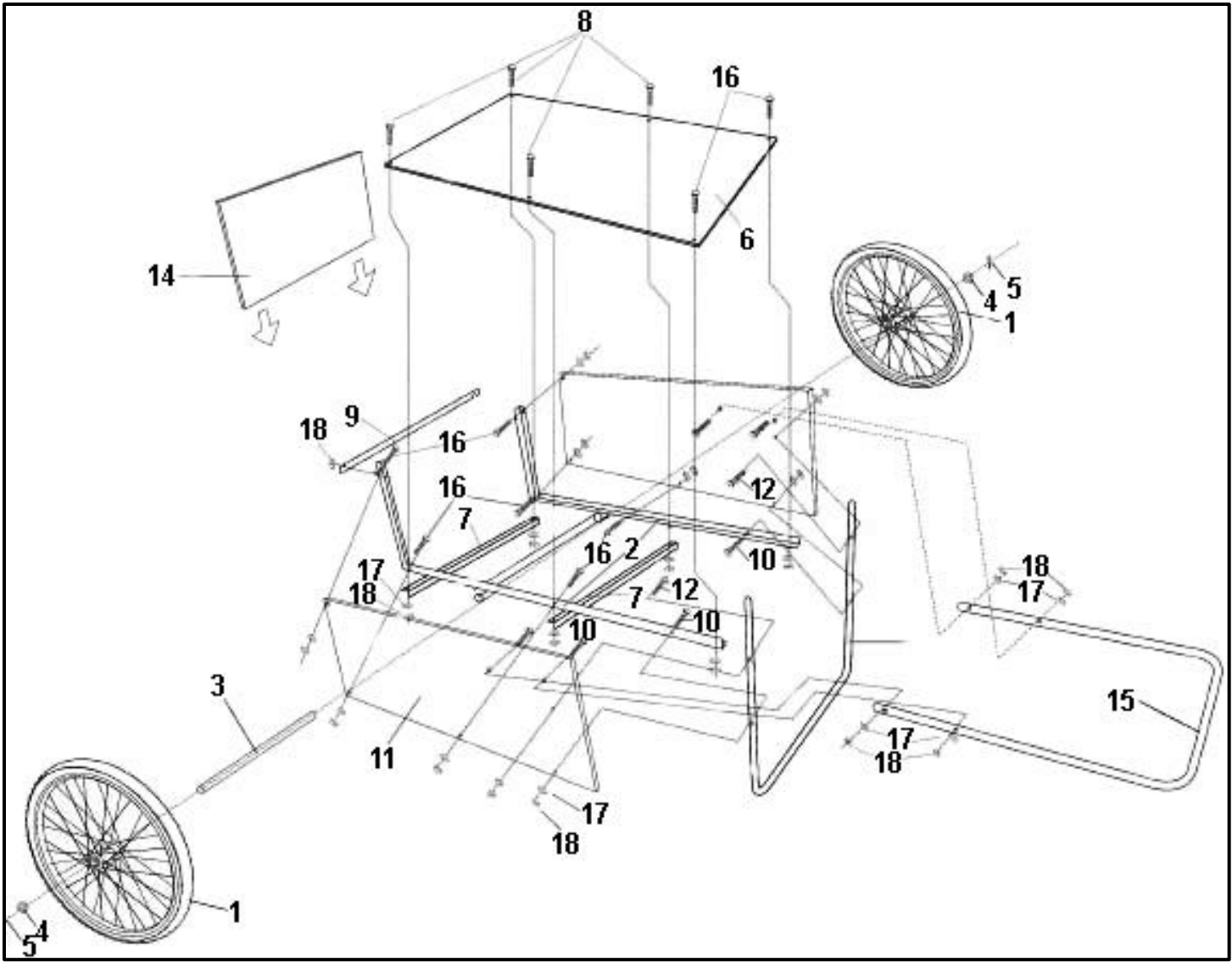


Figure 5

Parts Diagram & List



Key	Part No.	Description	Qty
1	52W-1252	Wheel	2
2	52W-1253	L-Shaped Frame	2
3	52W-1254	Axle	1
4	52W-1255	Washer ϕ 16	2
5	52W-1256	R Pin	2
6	52W-1257	Wood Floor Bed	1
7	52W-1258	Support Frame	2
8	52W-1259	Bolt M6*30	4
9	52W-1260	Rear Connect Bar	1

Key	Part No.	Description	Qty
10	52W-1261	Bolt M6*50	2
11	52W-1262	Side Panel	2
12	52W-1263	Bolt M6*45	6
13	52W-1264	Leg Support	1
14	52W-1265	Rear Panel	1
15	52W-1266	Handle	1
16	52W-1267	Bolt M6*25	8
17	52W-1268	Washer ϕ 6	20
18	52W-1269	Nylon Lock Nut M6	21

INSTRUCTIONS FOR ORDERING PARTS

(Minimum Parts Order Charge \$20.00)

1. Address all parts orders or correspondence regarding customer service to one of the following:

Parts Dept.	Phone: (937) 337-3641
Mid West Products, Inc.	Fax: (937) 337-0755
P.O. Box 301	E-mail: Parts@Mid-West-Products-Inc.com
Phillipsburg, OH 45354	Website: www.Mid-West-Products-Inc.com
2. Write your name and address plainly (print or type).
3. Explain where and how to ship.
4. Give model number of unit.
5. Give part number from parts list, as well as a description, including color, of the part and the quantity you need.
6. Inspect all shipments you receive. If any parts are damaged or missing, file a claim with the carrier before accepting.
7. If you are returning parts, be sure to include WITH THE SHIPMENT a list of the parts with your name and address.
8. All orders for repair and replacement parts will be shipped when paid with Master Card, Visa, or personal check/money order. Prices subject to change without notice.

GUARANTEE

The merchandise you have purchased from us has been carefully engineered and manufactured under Mid West Products rigid quality standards and should give you satisfactory, dependable operation. However, like all mechanical merchandise, it may occasionally require adjustment or maintenance. Should you need technical assistance, please contact MID WEST PRODUCTS.

OTHER LAWN & GARDEN TOOLS FROM MID WEST PRODUCTS, INC.

31" DELUXE PUSH LAWN SWEEPER—B 319

- The “Butterfly” Handles Increase the Hamper Capacity to a Huge 8.5-Bushel.
- Big 10” Precision Molded Plastic Wheels with Ribbed Tread Rubber Tire...Makes this Unit Easy to Push.
- The Rear Swivel Casters Help Make this Easy to Maneuver.
- Our Easy to Operate One-Hand “Squeeze Me” Height Adjustment Makes it Easy to go From Grass to Pavement.
- The Removable Hamper Allows for Easy Dumping and Fold Away Storage



VEGETABLE GARDEN ROW SEED PLANTER—GSF 31M

- ALL-IN-ONE item that can simultaneously Plant and Fertilize Seeds as well as Mark Rows.
- It only weighs 14 lbs. and NO TOOLS are REQUIRED for Assembly.
- Attached Pouch for extra seed, notes, gloves, and other needed items.
- High Strength Powder Coated Steel Frame and Seed Tube.
- The unit is Rear-Wheel Belt Driven for Positive, Even Seeding and No Messy Chain to pull the seeds out of the ground.

HIGH WHEEL CULTIVATOR—HWC 243A

- 24” Steel Wheel For Easy Handling
- Special Selection of 3 Tools (Mol-board Plow, Reversible Shovel, Welded Five-Tine Cultivator)
- Slotted Foot For Plow Attachments Enables Easy Adjustment of Cutting Depth and Angle
- Handle Folds Easily For Storage or Transportation



“TRACTOR SEAT ON WHEELS” HANDY CADDY—GC 400R

Sit comfortably on the sturdy four-wheeled Garden Caddy to do any of the jobs that usually require stooping, squatting, or kneeling. The 360° swivel seat allows freedom of movement while working in the garden or the greenhouse. Tools and supplies are held within easy reach in the handy shelf below the seat. Tasks, such as at your planter’s bench or in the actual garden becomes easier and fun! At a weight of 34 pounds, this item is durable, easy to use, comfortable, andyes....EASY on the KNEES! It has many wonderful uses, just use your imagination!!! It is the ULTIMATE HELPER! Get up off your aching knees and onto a tractor seat on wheels today!