

**Lambert
Products, Inc.**

**owners
manual**

**MODEL NO.
GSF-31M**

CAUTION:
FOLLOW DIRECTIONS
OF MANUAL FOR
PROPER OPERATION



GARDEN SEEDER / FERTILIZER

- **ASSEMBLY**
- **OPERATING**
- **MAINTENANCE**
- **PARTS LISTING**

ASSEMBLY

NOTE: Required tools: 2 - 7/16" Wrenches, 2 - 1/2" Wrenches

1. Remove two hex bolts (44) and hex nuts (43) from top of lower handle tubes (10). Insert upper handle tube (11) into lower handle tubes (10) and secure with two hex bolts (44) and hex nuts (43) previously removed.
2. Install fertilizer lever to fertilizer hopper using bolt (45) and nut (43).
3. Assemble row marker (22) to row marker (21) with carriage bolt (36) and wing nut (37).
4. Place row marker cap (23) on row marker tube (21).
5. Assemble row marker assembly to row marker bracket (20) using hex bolt (38), washer (39), wave washer (48) and lock nut (33). Do not fully tighten hardware, allowing row marker tube to pivot from side to side

SEED PLATE SELECTION GUIDE

Selection information as to seed size and spacing are also found on your seed plates.

- | | |
|-----------|--|
| 15-1018-1 | Has a 9 inch seed drop spacing, plants corn and sunflowers. |
| 15-1018-2 | Has a 3 1/2 inch seed drop spacing, plants small and medium peas and beans, also similar seeds. |
| 15-1018-3 | Has 3-1/2 inch seed drop spacing, plants variety of peas and beans including baby lima. |
| 15-1018-4 | Has a 3 1/2 inch seed drop spacing, plants beets, extra small peas and beans, okra, and related seeds. |
| 15-1018-5 | Has a 3 inch seed drop spacing, plants radishes, small beets, and seed of like size. |
| 15-1018-6 | Has 4-inch drop spacing, plants most small seeds such as turnips, mustard, lettuce, carrots, kale, collards, endive, spinach, rutabaga, parsnips, parsley, and rhubarb. This plate may also be used to plant seeds for vegetable that are sometimes grown from plants. These include broccoli, brussel sprouts, cabbage, cauliflower, celery, onions, and peppers. |

NOTE: When changing seed plates, be sure hopper is empty.

FERTILIZER ADJUSTMENT SETTINGS:

NOTE: Granular Fertilizer must be free flowing without lumps.

No. 1 setting – 1 lb. per 100 ft.

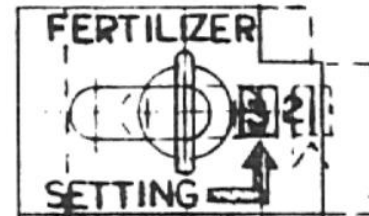
No. 2 setting – 2 lb. per 100 ft.

No. 3 setting – 3 lb. per 100 ft.

Consult your fertilizer dealer for further application data.

OPERATION

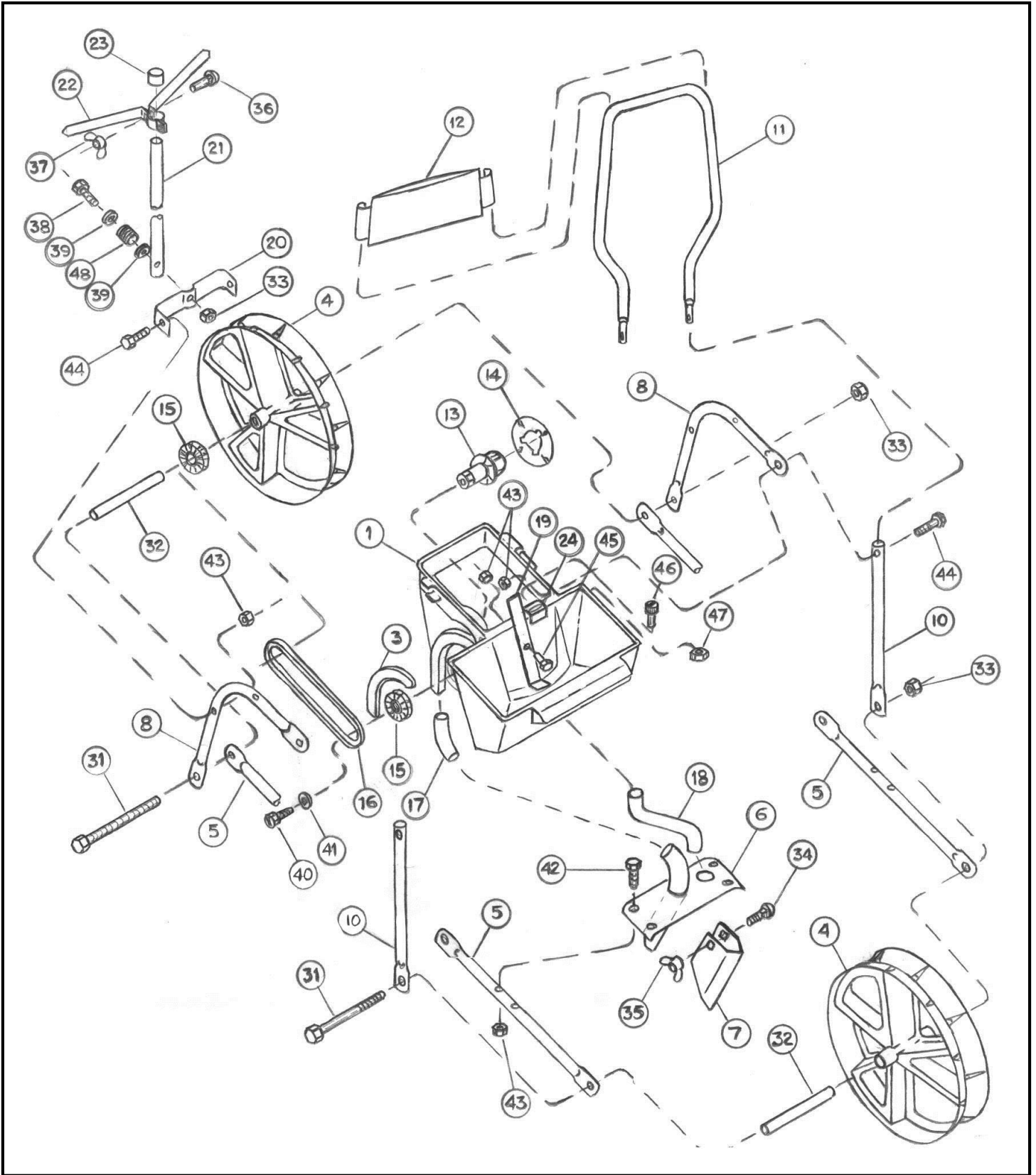
1. To install the desired seed plate, hold the seed plate at an angle with the bottom against the straight wall in the hopper. Line up the slots in the seed plate with the raised portions of the hub, hold it firmly against the inside of the hopper and rotate it approximately 1/2" in the "ON" direction as indicated by the arrow on the plate until the cam action locks the seed plate in place on the hub. Do Not force. OFF and ON, directions are indicated on the seed plates with arrows.
2. Next, set the planting depth with the wedge-shaped furrowing shoe located directly under the hopper. Note that there are graduations in inches on the sides of the seed tube. Move furrowing shoe until top edge is in line with desired planting depth. Retighten wing nut (35) after adjustment is made. Check the depth by moving the seeder forward a few inches.
3. Pour seeds in the seed hopper. CAUTION: Do not fill the hopper above the center of the seed plate.
4. Pour fertilizer into fertilizer hopper. CAUTION: Do not over fill the hopper. Allow 1" from top of fertilizer to top edge of hopper
5. Adjust fertilizer flow by loosening wing nut on fertilizer hopper. Slide calibrated plate to desired setting and tighten wing nut. Before filling, shut off fertilizer control.



6. Mark out the first row in your garden. Lower the row marker shaft and adjust the row marker to the proper width for the next row. You are now ready to plant.
7. To empty seeds, remove plug (2) from seed hopper by simply putting pressure on center of plug and push inward. Pour seeds into a clean container.
8. Empty fertilizer by placing a clean container under fertilizer hose, adjustment plate to No. 3 setting and open control, allowing fertilizer to flow into the container.
9. To remove seed plate, hold pulley and belt stationary with one hand and rotate the seed plate approximately 1/2" in the "OFF" direction indicated by an arrow on top of the seed hopper (1). Push the seed plate off the hub through the hole just above the pulley. It will slip off easily.

NOTICE: Keep your seed hopper clean and free from sand, grit, and seed treating materials.

PARTS DRAWING



PARTS LIST

Key	Part No.	Qty.	Description
1	15-1160	1	Seed Hopper
2	15-1161	1	Plug (Not Illustrated)
3	15-1162	1	Cover Seed Tube
4	15-1013	2	Wheel 12" Diameter
5	15-1163	2	Frame Tube
6	15A-1166	1	Bracket Seed Tube
7	15-1167	1	Furrowing Shoe
8	15-1168	2	Support Tube
9	15-1186	1	Decal (Not Illustrated)
10	15-1170	2	Lower Handle Tube
11	15-1171	1	Handle
12	15A-1172	1	Pouch
13	15-1173	1	Spindle
14	15-1018	1	Seed Plate (6 Plates)
15	15-1011	2	Pulley
16	15-1174	1	Belt
17	15-1175	1	Seed Tube
18	15-1176	1	Fertilizer Tube
19	15-1177	1	Fertilizer Flow Lever
20	15-1178	1	Bracket - Row Marker
21	15-1019	1	Row Marker Tube

Key	Part No.	Qty.	Description
22	15-1185	1	Row Marker (Now 15A-1185)
23	15-1037	1	Cap - Row Marker Tube
24	15-1181	1	Step - Fertilizer - Shut Off
31	X-1429	2	5/16 - 18 X 4 1/2 HHCS
32	15-1017	2	Wheel Spacer
33	X-1107	3	5/16-18 Lock Nut
34	L-116	1	5/16-18 X 1 1/2 Carriage Bolt
35	X-1007	1	5/16 -18 Wing Nut
36	L-271	1	1/4 -20 X 5/8 Carriage Bolt
37	X-1152	1	1/4 -20 Wing Nut
38	X-1027	1	5/16-18 X 1 3/4 HHCS
39	L-99	2	5/16 Flat Washer
40	X-1577	1	1/4-20 X 1/2 Self Tap Screw
41	X-1433	1	1/4 Id X 7/8 O.D. Flat Washer
42	X-2020	4	1/4-20 X 1 HHCS
43	L-303	9	1/4-20 Lock Nut
44	X-1182	4	1/4-20 X 1 1/4 HHCS
45	L-172	1	1/4-20 3/4 HHCS
46	X-1568	1	1/4-20 X 3/4 Thumb Screw
47	X-1569	1	1/4-20 Special Nut
48	4-10704	1	Spring

INSTRUCTIONS FOR ORDERING PARTS

NOTE: Be sure to specify color (if any) of any part you order.
(minimum charge: \$20.00)

To eliminate error and speed delivery, follow these suggestions.

1. Address all Parts Orders or Correspondence regarding Service to:

Parts Department
Mid West Products, Inc.
P.O. Box 301
Phillipsburg, OH 45354

Phone: (937) 337-3641 X108
Fax: (937) 337-0755
E-mail: parts@mid-west-products-inc.com
Website: <http://www.mid-west-products-inc.com>

2. Print or type your name and address clearly.
3. Explain where and how to ship.
4. Give correct model number from owner's manual or product and state color if part is to be painted.
5. Give part number, as well as description of part, and the quantity you need of each part
6. Inspect all shipments you receive. If any parts are damaged or missing, file a claim with the carrier before accepting.